



**Combined Cutter/Vegetable slicer
Combined veg.slicer/cutter mixer
2.6lt s/s bowl, 3 discs**

ITEM # _____

MODEL # _____

NAME # _____

SIS # _____

AIA # _____



602273 (DCOM26VSDAU) Combined vegetable slicer and cutter mixer 2.6 lt, with stainless steel bowl, variable speed 500-3600 rpm, 3 discs included (slicer 2mm, slicer 5mm, grater 3mm - Australia)

Short Form Specification

Item No. _____

Combined Vegetable Slicer and Cutter Mixer with 2,6 litres, stainless steel bowl. Vegetable slicer ensures consistent cutting results thanks to the design patented lever-pusher. Constructed in a sturdy plastic material. 1,25 liters transparent half-moon hopper. Vegetables can be fed directly into the half moon hopper, a pusher presses the vegetables against the cutting discs ensuring an even cut in minimal time. 2 small hoppers for precise cuts on long vegetables dia. 55mm or 25mm. Ideal for grating, slicing/wavy slice, julienne and dicing. 3 discs included: slicer 2mm and 5mm, grater 3mm. A safety micro switch stops the blade when the feed hopper is opened.

Cutter Mixer transparent copolyester lid with scraper and central feed hole for adding products in mid-cycle. Microtoothed blade rotor. Angled blades and conical base of the bowl ensure consistent mixing. All ingredients are processed evenly and quickly thanks to a special flow generated inside the bowl.

No-volt release system prevents accidental start of the

appliance. All parts in contact with food are removable and Dishwasher safe. Waterproof, easy to clean, flat, soft-touch buttons. Variable speed 500-3600 rpm. A smart speed control limits the speed when vegetable slicer attachment is installed.

APPROVAL: _____

Combined veg.slicer/cutter mixer 2.6lt s/s bowl, 3 discs
Combined Cutter/Vegetable slicer



Combined Cutter/Vegetable slicer Combined veg.slicer/cutter mixer 2.6lt s/s bowl, 3 discs

Main Features

- Model includes 3 discs: slicer 2mm, slicer 5mm, grater 3mm.
- Combined appliance with two functions: vegetable slicer and cutter mixer.
- Equipped with vegetable slicer attachment for slicing, grating, shredding (julienne) as well as dicing and French fries cutting.
- Cutter mixer and emulsifier function included, for fast chopping, mixing, mincing, grinding, liquidizing and kneading.
- Equipped with half moon hopper (1,25lt capacity) and 2 small round feed chutes: Ø 25mm and Ø 55mm, for precise slicing of long shaped vegetables.
- Uniform cuts and maximised load capacity, thanks to the design patented lever-pusher.
- Large output chute for efficient ejection. Fits up to 200mm high standard kitchen containers (like GN) under the output chute.
- Continuous feed model.
- Pulse function for quick and precise slicing and grating.
- Flexibility for high quality cuts: 9-level variable speed can be adjusted according to consistency of ingredients.
- Ergonomical frontal lever, suitable for left handed and right handed operators.
- Vegetable slicer blade stops when lever pusher is lifted for operator safety.
- Optional discs and grids available of various sizes for slicing, dicing, grating and shredding (diam. 175mm).
- Automatic speed limitation according to the selected function (slicer or cutter).
- Includes 2,6 liter stainless steel bowl with micro-toothed blades rotor.
- Bowl/lid scraper included for uniform smooth results (emulsifying) and continuous working.
- Transparent lid, with funnel shaped hole, to add ingredients during use.
- All ingredients are processed evenly and quickly thanks to a special movement generated inside the bowl.
- Pulse function for coarse chopping.
- Easy to clean and waterproof control panel with flat on/off button and pulse function.
- All parts in contact with food are removable without the use of tools, completely dismountable and dishwasher safe.
- Productivity: up to 100 settings per service for vegetable slicer, up to 50 settings per service for cutter mixer function.

Construction

- Food safety assured in accordance to European directives and UK legislation. In addition, materials in contact with food, are BPA-free.
- Product safety conform to European directives,

UK legislation and international health and safety standards.

- Variable speed: 500 - 3600 rpm.
- Motor power: 750 Watt.
- Bowl in AISI 304 stainless steel.
- Micro-toothed blades in 420 AISI stainless steel and ergonomic scraper in resistant composite material to ensure consistent mixing.
- IPX5 (IP55) waterproof, flat, touch-control panel.
- Main switch ON/OFF on the back of the appliance.
- Asynchronous industrial motor with no brushes for high reliability and quiet functioning, stainless steel motor shaft.

Included Accessories

- 1 of TRANSPARENT LID FOR 2,6LT CUTTER MIXER BOWL PNC 650117
- 1 of 3 DISCS SET TRK1 (2MM SLICER, 5MM SLICER, 3MM GRATER) PNC 650196
- 1 of MICROTOOTHED BLADE ROTOR FOR 2.6LT CUTTER MIXER PNC 650226
- 1 of STAINLESS STEEL BOWL FOR 2,6 LT CUTTER MIXER PNC 650228
- 1 of SCRAPER FOR 2.6LT CUTTER MIXER BOWL PNC 650230
- 1 of EJECTOR FOR VEGETABLE SLICER PNC 650232

Optional Accessories

- CLEANING TOOL FOR TRS-TRK-TRK210 5/8/10MM DICING GRIDS PNC 650110
- TRANSPARENT LID FOR 2,6LT CUTTER MIXER BOWL PNC 650117
- TRANSPARENT LID (WITHOUT SEALING) FOR 3,6LT CUTTER MIXER BOWL PNC 650118
- 3 DISCS SET TRK1 (2MM SLICER, 5MM SLICER, 3MM GRATER) PNC 650196
- 6 DISCS SET (2MM SLICING, 5MM SLICING, 3MM GRATING, 7MM GRATING, 10MM SLICER, 10X10MM GRID) PNC 650197
- STAINLESS STEEL GRATING DISC 2 MM (DIA. 175 MM) PNC 650198
- STAINLESS STEEL GRATING DISC 3 MM (DIA. 175 MM) PNC 650199
- STAINLESS STEEL GRATING DISC 4 MM (DIA. 175 MM) PNC 650205
- STAINLESS STEEL GRATING DISC 7 MM (DIA. 175 MM) PNC 650207
- PARMESAN DISC PNC 650208
- STAINLESS STEEL SHREDDING DISC 2 MM (DIA. 175 MM) PNC 650209
- STAINLESS STEEL SHREDDING DISC 4 MM (DIA. 175 MM) PNC 650210
- STAINLESS STEEL SHREDDING DISC 8 MM (DIA. 175 MM) - FRENCH FRIES PNC 650211
- STAINLESS STEEL SLICING DISC 1 MM (DIA. 175 MM) PNC 650213
- STAINLESS STEEL SLICING DISC 2 MM (DIA. 175 MM) PNC 650214

Combined Cutter/Vegetable slicer
Combined veg.slicer/cutter mixer 2.6lt s/s bowl, 3 discs

The company reserves the right to make modifications to the products without prior notice. All information correct at time of printing.





Combined Cutter/Vegetable slicer Combined veg.slicer/cutter mixer 2.6lt s/s bowl, 3 discs

- STAINLESS STEEL SLICING DISC 3 MM (DIA. 175 MM) PNC 650215
- STAINLESS STEEL SLICING DISC 5 MM (DIA. 175 MM) PNC 650216
- STAINLESS STEEL SLICING DISC 6 MM (DIA. 175 MM) PNC 650217
- STAINLESS STEEL WAVY SLICING DISC 3 MM (DIA. 175 MM) PNC 650218
- STAINLESS STEEL WAVY SLICING DISC 5 MM (DIA. 175 MM) PNC 650219
- ALUMINUM SLICING DISC 8 MM (DIA. 175 MM) PNC 650220
- ALUMINUM SLICING DISC 10 MM (DIA. 175 MM) PNC 650221
- DICING GRID 8X8 (DIA 175 MM) PNC 650222
- DICING GRID 10X10 (DIA 175 MM) PNC 650223
- DICING KIT 8MM (ALUMINUM SLICER 8MM, GRID 8X8MM) - DIA. 175 MM PNC 650224
- DICING KIT 10MM (ALUMINUM SLICER 10MM, GRID 10X10 MM) - DIA. 175 MM PNC 650225
- MICROTOOTHED BLADE ROTOR FOR 2.6LT CUTTER MIXER PNC 650226
- SMOOTH BLADE ROTOR FOR 2.6LT CUTTER MIXER PNC 650227
- STAINLESS STEEL BOWL FOR 2,6 LT CUTTER MIXER PNC 650228
- TRANSPARENT COPOLYESTER BOWL FOR 2,6 LT CUTTER MIXER PNC 650229
- SCRAPER FOR 2.6LT CUTTER MIXER BOWL PNC 650230
- STAINLESS STEEL BOWL FOR 2,6LT CUTTER MIXER, MICROTOOTHED ROTOR, LID WITH SCRAPER PNC 650231
- EJECTOR FOR VEGETABLE SLICER PNC 650232
- MICROTOOTHED BLADE ROTOR FOR 3.6LT CUTTER MIXER PNC 650233
- SMOOTH BLADE ROTOR FOR 3.6LT CUTTER MIXER PNC 650234
- STAINLESS STEEL BOWL FOR 3.6LT CUTTER MIXER PNC 650235
- SCRAPER FOR 3.6LT CUTTER BOWL PNC 650236
- STAINLESS STEEL SLICING DISC 4 MM (DIA. 175 MM) PNC 650237
- TRANSPARENT BOWL FOR 2,6LT CUTTER MIXER, MICROTOOTHED ROTOR, LID WITH SCRAPER PNC 650245
- SUPPORT FOR 1 DISC-DIAM 175MM AND 205MM PNC 653632



Combined Cutter/Vegetable slicer
Combined veg.slicer/cutter mixer 2.6lt s/s bowl, 3 discs

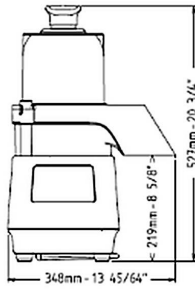
The company reserves the right to make modifications to the products without prior notice. All information correct at time of printing.

2026.06.16

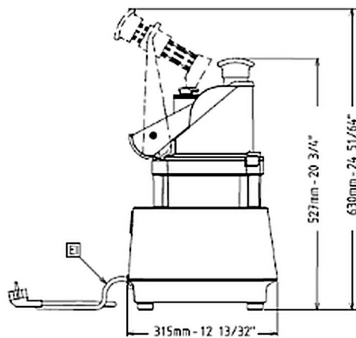


Combined Cutter/Vegetable slicer Combined veg.slicer/cutter mixer 2.6lt s/s bowl, 3 discs

Front

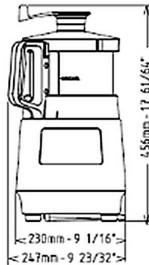


Side



EI = Electrical inlet
(power)

Rear side



Electric

Supply voltage: 220-240 V/1N ph/50/60 Hz
Electrical power max.: 0.75 kW
Total Watts: 0.75 kW

Capacity:

Performance (up to): 150 kg/Cycle
Capacity: 2.6 litres

Key Information:

External dimensions, Width: 348 mm
External dimensions, Depth: 315 mm
External dimensions, Height: 527 mm
Shipping weight: 22.2 kg
Net weight (kg): 15
Cold water paste:
Egg whites:

Combined Cutter/Vegetable slicer
Combined veg.slicer/cutter mixer 2.6lt s/s bowl, 3 discs

The company reserves the right to make modifications to the products without prior notice. All information correct at time of printing.

